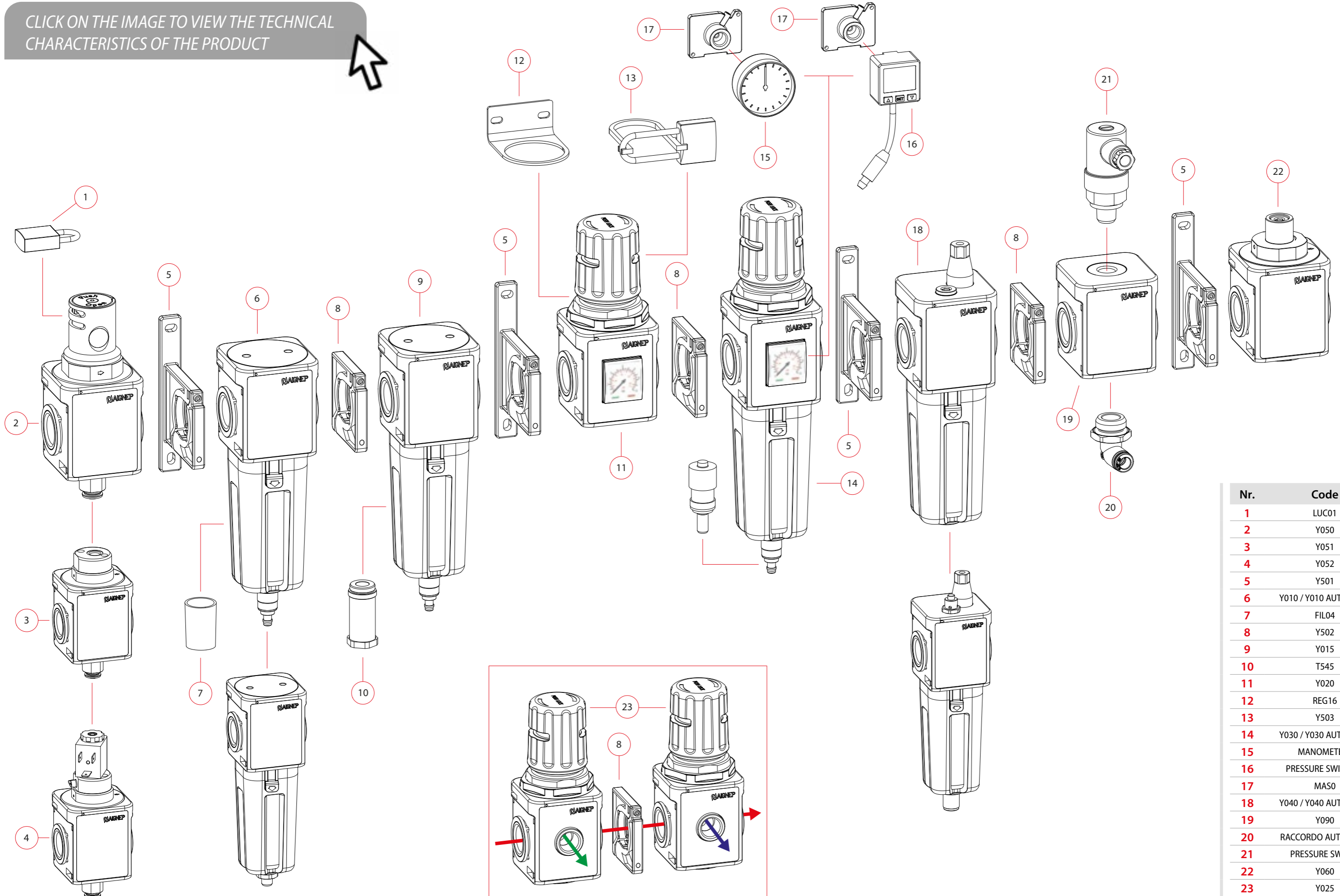


CLICK ON THE IMAGE TO VIEW THE TECHNICAL CHARACTERISTICS OF THE PRODUCT



Nr.	Code
1	LUC01
2	Y050
3	Y051
4	Y052
5	Y501
6	Y010 / Y010 AUTOMATIC
7	FIL04
8	Y502
9	Y015
10	T545
11	Y020
12	REG16
13	Y503
14	Y030 / Y030 AUTOMATIC
15	MANOMETERS
16	PRESSURE SWITCHES
17	MAS0
18	Y040 / Y040 AUTOMATIC
19	Y090
20	RACCORDO AUTOMATIC
21	PRESSURE SWITCH
22	Y060
23	Y025